

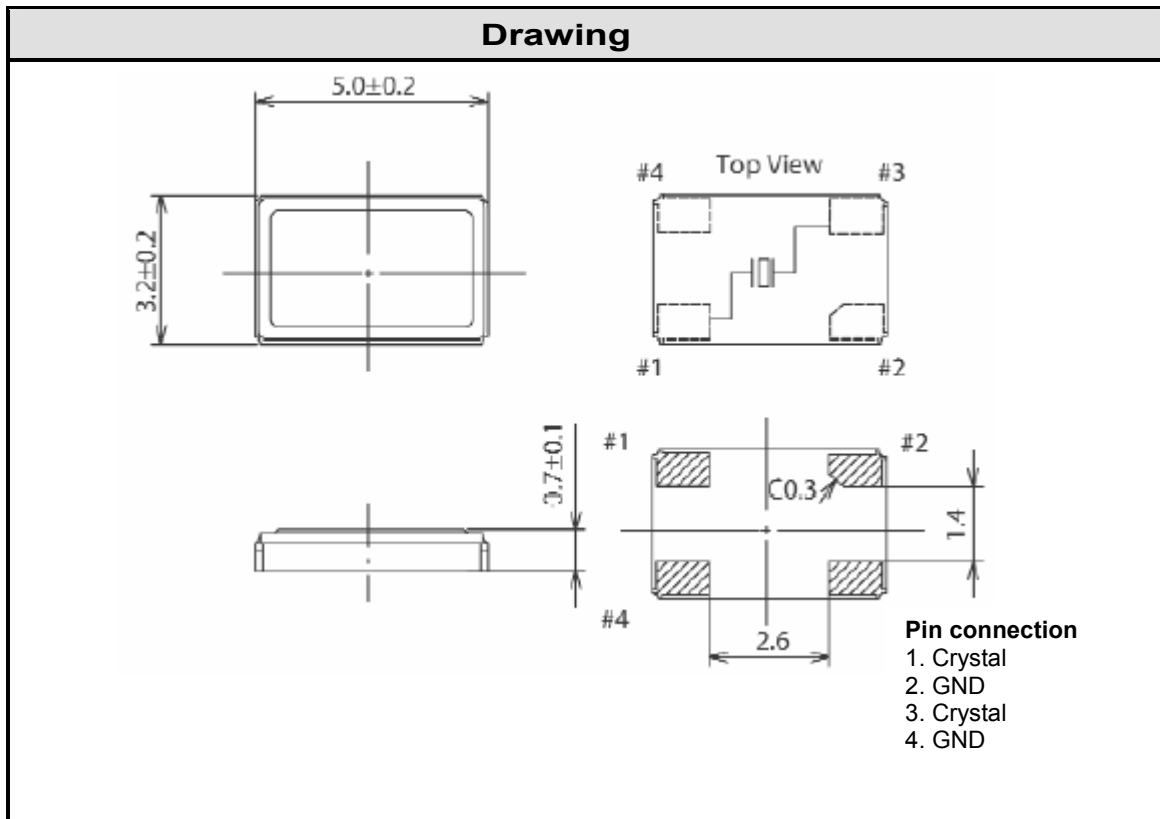
- CERAMIC SMD PACKAGE, SEAM SEALED, RoHS COMPLIANT DESIGN
- APPLICATION: BLUETOOTH, MP3, PDA, USB, WIRELESS LAN, CELLULAR



Specification

Parameter	Characteristic
Frequency Range	10.000MHz ~ 50.000MHz
Oscillation Mode	Fundamental
Holder type	CX5032
Frequency Tolerance (@ 25 °C)	(See Table 5)
Frequency Stability (Ref. @ 25 °C)	(See Table 6)
Equivalent Series Resistance (C.I)	70 Ω max. (See Table 8)
Operating Temperature Range	-10 ~ +70 °C standard / -40 ~ +85 °C available
Storage Temperature Range	-40 ~ +90 °C
Shunt Capacitance(Co)	5pF max
Load Capacitance(CL)	18pF standard (See Table 3)
Drive Level	100 μW max
Aging(at 25 °C)	±5ppm / year max

Drawing



4TechWorld Co., Ltd

B-408, Kajwa Industrial Complex. #178-78, Kajwa-1dong, Seo-ku, Incheon-city, 404-812, Korea
 ♦ Tel:+82-32-584-6517~8 ♦ Fax:+82-32-584-6516 ♦ Web site:www.4tech.biz

Ordering Guide

Typical P/N : CX5032 - 10M - 20 - 1 10 15 Q - 70 - TR

1 2 3 4 5 6 7 8 9

1. Package CX5032 = 5.0x3.2x0.7mm

(5.0x3.2mm Ceramic SMD Crystal Unit)

2. Frequency range : 10 to 50MHz

3. Load capacitance

S : Series

10 : 10pF

18 : 18pF

20 : 20pF

30 : 30pF

4. Oscillation Mode

1 : Fundamental

3 : 3rd Overtone

5. Tolerance Options (Room Temperature)

50 : +/- 50ppm

30 : +/- 30ppm

15 : +/- 15ppm

10 : +/- 10ppm

6. Stability Options (Temperature Range)

50 : +/- 50ppm

30 : +/- 30ppm

15 : +/- 15ppm

10 : +/- 10ppm

7. Operating temperature range

P : 0~60°C

Q : -10~70°C

R : -30~75°C

S : -40~85°C

* : The others

8. Equivalent Series Resistance (C.I)

10MHz ≤ F < 11MHz : 70 ohms max

11MHz ≤ F < 12MHz : 60 ohms max

12MHz ≤ F < 25MHz : 50 ohms max

25MHz ≤ F ≤ 50MHz : 40 ohms max

9. Packing

TR : Tape and Reel

B : Bulk