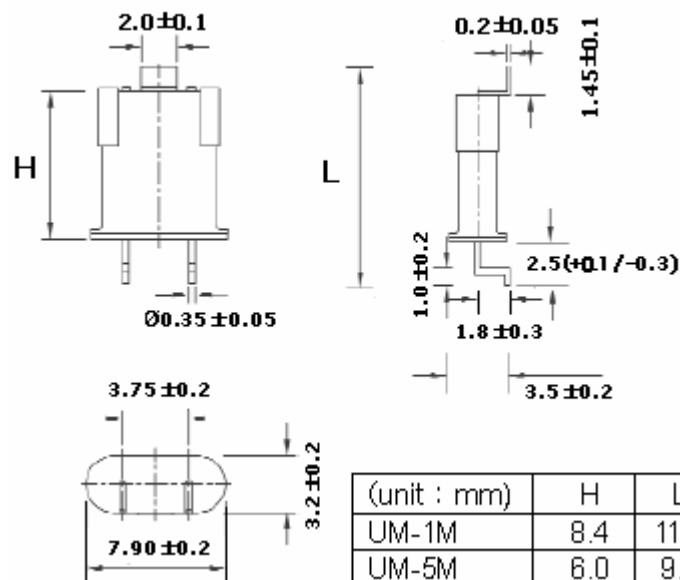


- TIGHT TOLERANCE & STABILITY, RoHS COMPLIANT DESIGN
- APPLICATION: ADSL, NETWORK CARD, A/V CARD, NETWORK PROCESSOR, ISDN

Specification

Parameter	Characteristic
Frequency Range	3.5MHz ~ 160.000MHz
Oscillation Mode	Fundamental / Third overtone / Fifth overtone
Holder type	UM-1, UM-5
Frequency Tolerance (@ 25℃)	(See Table 5)
Frequency Stability (Ref. @ 25℃)	(See Table 6)
Equivalent Series Resistance (C.I)	(See Table 8)
Operating Temperature Range	-10 ~ +70℃ standard / -40 ~ +85℃ available
Storage Temperature Range	-40 ~ +90℃
Shunt Capacitance(Co)	7pF max
Load Capacitance(CL)	18pF standard (See Table 3)
Drive Level	10μW (1000μWmax)
Aging(at 25℃)	±5ppm / year max

Drawing



4TechWorld Co., Ltd

B-408, Kajwa Industrial Complex. #178-78, Kajwa-1dong, Seo-ku, Incheon-city, 404-812, Korea
 ♦ Tel:+82-32-584-6517~8 ♦ Fax:+82-32-584-6516 ♦ Web site:www.4tech.biz

