

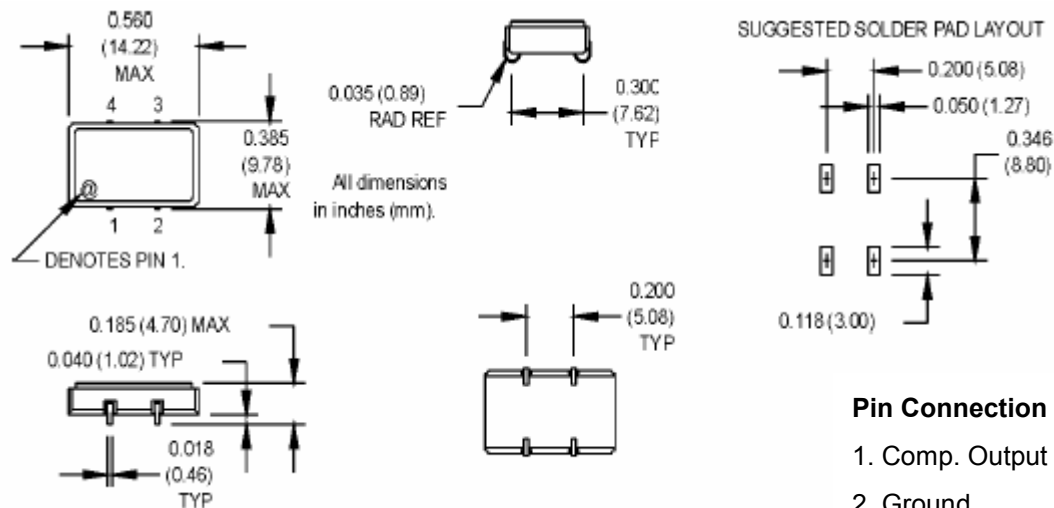
### Features

- LVPECL, Extended Temperature available
- Ceramic 4 J-Lead Package, Seam sealed, 14x9.8x4.7mm
- 2.5V / 3.3V Operation
- RoHS Compliant

### Specification

Parameter	Characteristic
Frequency Range	1.000MHz ~ 800.0000MHz
Frequency Stability	+/- 50 ppm std. (See Table 4) Inclusive of operating temperature
Operating Temperature Range	0 ~ 70°C std. (See Table 5)
Storage Temperature Range	-55 ~ +125°C
Input Voltage	3.3Vdc +/- 5% std.
Input Current	100mA max
Output 0 Level (Vol)	Vcc-1.63Vdc max
Output 1 Level (Voh)	Vcc-1.02Vdc min
Symmetry (Duty Cycle)	40/60% @ Vcc-1.3Vdc std. (See Table 6)
Rise & Fall Time	0.6nS typical, 1.0nS max
Start up time	10mS max
Output Load	50Ω to Vcc-2.0Vdc
Aging	+/- 3 ppm max / year
Phase Jitter (12KHz~20MHz)	1pS RMS max (See Table A)
Operating Temperature Range	0 ~ 70°C std. (-40 ~ 85°C Available)
Mechanical Shock	Per MIL-STD-202, Method 213, Cond. E
Thermal Shock	Per MIL-STD-883, Method 1011, Cond. A
Vibration	Per MIL-STD-883, Method 2007, Cond. A
Soldering Conditions	260°C for 10sec. max.: 230°C for 90sec max.
Hermetic Seal	Leak rate less than 5x10-8 atm.cc/s of Helium

### Drawing



### Pin Connection

1. Comp. Output
2. Ground
3. Output
4. Vcc



# Ceramic 4J-Lead LVPECL SMD Oscillator

## ■ Model No. C4JXP

### Ordering Guide

Typical P/N : C4JXP - 155.52M - 3 - 50 A S1 - TR

1                      2                      3    4    5    6    7

**1. Package** C4JXP = 14x9.8x4.7mm, 4pads

(Ceramic 4J-Lead LVPECL SMD Oscillator)

**2. Frequency range** : 1 to 800MHz

**3. Input Voltage** : 2 = 2.5V / 3 = 3.3V

**4. Frequency Stability**

00 : +/- 100ppm

50 : +/- 50ppm

25 : +/- 25ppm

**5. Operating Temperature Range**

A : 0~70°C

B : -20~70°C

C : -40~85°C

D : -10~70°C

\* : The others

**6. Symmetry (Duty Cycle)**

S1 : 45/55% at Vcc - 1.3Vdc

S2 : 40/60% at Vcc - 1.3Vdc

**7. Packing**

TR : Tape and Reel

BU : Bulk

TU : Tube

**A. Phase Jitter**

1MHz ≤ F < 9.7MHz : 3pS RMS max

9.7MHz ≤ F ≤ 200MHz : 1pS RMS max

200.001MHz < F ≤ 800MHz : 3pS RMS max

(12KHz ~ 20MHz)

**4TechWorld Co., Ltd**

B-408, Kajwa Industrial Complex. #178-78, Kajwa-1dong, Seo-ku, Incheon-city, 404-812, Korea

◆ Tel:+82-32-584-6517~8    ◆ Fax:+82-32-584-6516    ◆ Web site:www.4tech.biz