

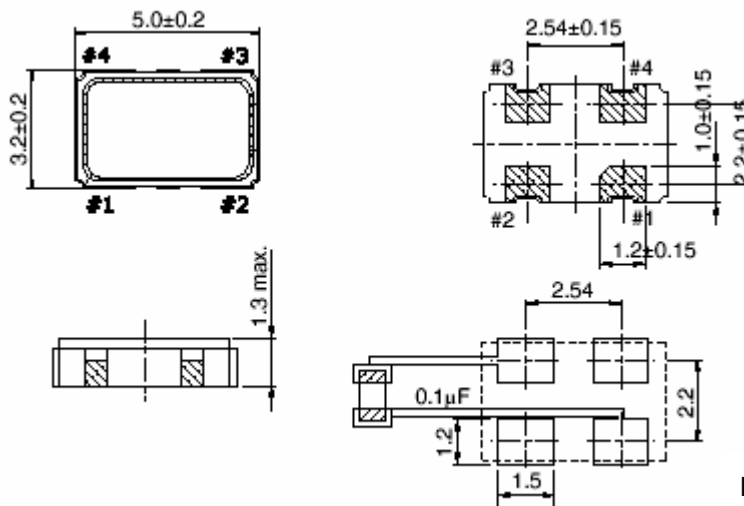
Features

- HCMOS/TTL, 32.768KHz Oscillator Special Frequency
- Ceramic SMD Package, Seam sealed, 5x3.2x1.3mm
- 2.5V / 3.3V Operation
- RoHS Compliant

Specification

Parameter	Characteristic
Frequency Range	32.768KHz
Frequency Stability	+/- 100ppm std. (See Table 4) Inclusive of Operating Temperature
Operating Temperature Range	0 ~ +70°C std. (See Table 5)
Storage Temperature Range	-55 ~ +125°C
Input Voltage	3.3Vdc +/- 10% std. (See Table 3)
Input Current	0.45mA typical, 1mA max
Output 0 Level (Vol)	0.33Vdc max
Output 1 Level (Voh)	2.97Vdc min
Symmetry (Duty Cycle)	40/60%@1/2Vdc std. (See Table 6)
Rise & Fall Time	200nS max
Tri-state (Input to Pin# 1)	Logic 1 or Open : Oscillation Logic 0 : High Impedance
Start Up Time	5mS max
Output waveform vs. Load	HCMOS-TTL / 15pF
Aging(at 25°C)	+/- 5ppm / year max

Drawing



Pin Connection

1. E/D or N.C
2. Ground
3. Output
4. Vcc



5x3.2mm Ceramic SMD Oscillator

■ Model No. C53LH-32.768KHz

Ordering Guide

Typical P/N : C53LH - 32.768K - 2 - 25 C S1 T -TR
 1 2 3 4 5 6 7 8

- 1. Package** C53LH = 5x3.2x1.3mm
(5x3.2mm Ceramic SMD Oscillator, KHz, HCMOS/TTL)
- 2. Frequency range :** 32.768KHz Special Freq.
- 3. Input Voltage :** 2 = 2.5V / 3 = 3.3V

4. Frequency Stability

- 00 : +/- 100ppm
50 : +/- 50ppm
25 : +/- 25ppm

5. Operating Temperature Range

- A : 0~70℃
B : -20~70℃
C : -40~85℃
D : -10~70℃
* : The others

6. Symmetry (Duty Cycle)

- S1 : 45/55% at 1/2Vdc
S2 : 40/60% at 1/2Vdc

7. Pin#1 Connection

- T : Tri-state
Blank : No connection

8. Packing

- TR : Tape and Reel
BU : Bulk
TU : Tube

4TechWorld Co., Ltd

B-408, Kajwa Industrial Complex. #178-78, Kajwa-1dong, Seo-ku, Incheon-city, 404-812, Korea

◆ Tel:+82-32-584-6517~8 ◆ Fax:+82-32-584-6516 ◆ Web site:www.4tech.biz