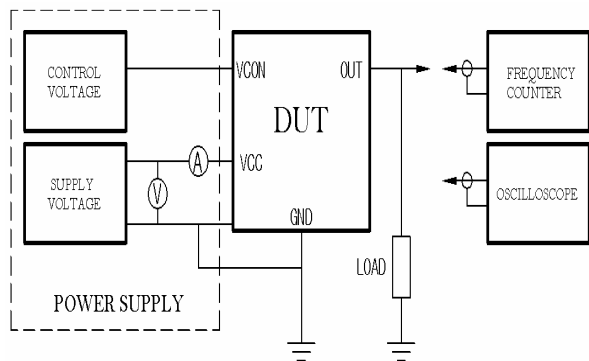


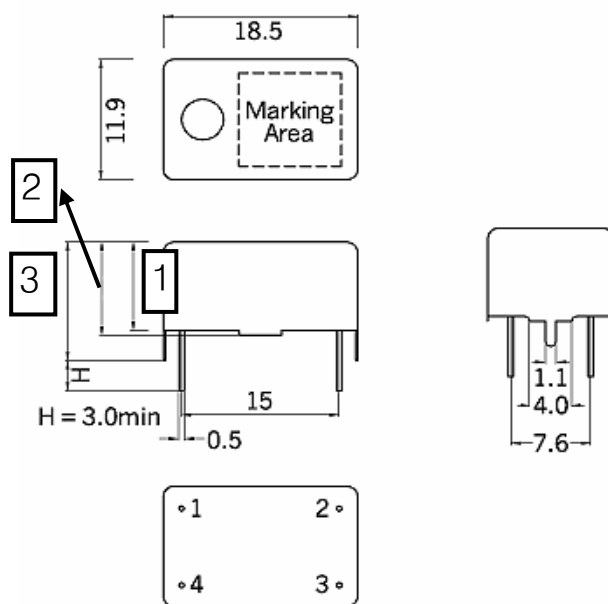
General Specification

Model		TCD2	TCD5	TCD6	UNIT / LIMIT
Frequency Range		2~35MHz	20~150MHz	12~35MHz	
Applications		TCXO			
Supply Voltage		Vdd= 5.0V			V ± 5%
Load		15pF	10kΩ//10pF		± 10%
Operating Temp.		-40~0°C to 50~85°C			°C
Frequency Stability	vs. Temp.	± 1.0. ~ ± 10.0			Ref to 25°C ± 2°C
	vs. Volt.	± 0.5 / Vcc ± 5%			ppm / max
	vs. Load	± 0.2 / Load ± 10%			ppm / max
	Aging	± 1.0			ppm max / First year
	Tolerance	± 0.5			ppm max/ at 25°C ± 2°C
Output	Level	HCMOS /TTL		5.0Vcc > 1.0	Vp-p / min
	Wave Form.	Retangular		Clipped sine wave	
Supply Current		5.0Vcc > 20		2.0 max	mA / max
Frequency Adj.		± 3 (By internal trimmer)			ppm / min
Voltage Control + TCXO(Same Above Charcateristic)					
Model		VTCD2	VTCD5	VTCD6	UNIT / LIMIT
Applications		VCTCXO			
VT	Supply Voltage (Vdd)	5.0V ± 5%			
	Control Voltage (Vcon)	Freq. DEV.	± 5.0 ~ ± 20.0		ppm/ max
		Volt.	2.5 ± 2.0		V

TEST CIRCUIT



DIMENSION



PIN CONNECTION

PIN	CD2/TCD5/TCD6 , VTCD2/VTCD5/VTCD
1	N.C(T) / Vc(VT)
2	Case Gnd
3	Output
4	Vcc

Height	H type	L type
1	8.7mm	5.7mm
2	9.2mm	6.2mm
3	11.7mm	8.7mm

UNIT : mm
TOLERANCE UNLESS OTHERWISE SPECIFIED : ± 0.3

PACKAGE HEIGHT

Ordering Guide

Typical P/N : VT - CD6 - 10M - 4 - 25 - D - a - 5 - BU - A

#1	#2	#3	#4	#5	#6	#7	#8	#9
----	----	----	----	----	----	----	----	----

#1. TYPE

T-TCXO
VT-VCTCXO

#2.MODEL(18.5x11.9 mm lead type)

CD6 : Clipped Sine
CD2 & CD5 : HCMOS/TTL

#3. FREQUENCY

XX.xxxM-Nominal Frequency (MHZ)

#4.INPUT VOLTAGE

1 : Vcc= 2.5V
2 : Vcc=2.8V
3 : Vcc=3.0V
4 :Vcc=3.3V
5 : Vcc=5.0V

#5.FREQUENCY STABILITY

10 :±1.0ppm max
15 :±1.5ppm max
20 :±2.0ppm max
25 :±2.5ppm max
30 :±3.0ppm max
50 :±5.0ppm max
00 :others (ex: 10.0ppm max ▶ 100)

#6. Operating Temperature Range

A : 0℃ ~ 50℃
B : -10℃ ~ 60℃
C : -20℃ ~ 70℃
D : -30℃ ~ 75℃
E : -40℃ ~ 85℃

7. Output Load

a : 10kΩ//10pF
b : 15pF
c: others

#8.Frequency Deviation

Blank : No Connection (TCXO)
5 : ±5ppm min
10 : ±10ppm min

#9.Packing Method

TR : Tape & Reel
BU : Bulk
TU : TUBE

#10.Package Height

A : 6.2mm
B : 9.2mm