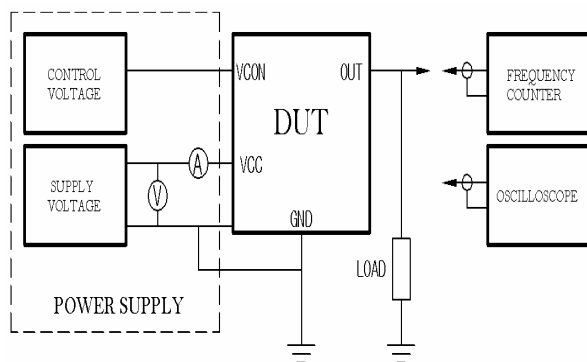


General Specification

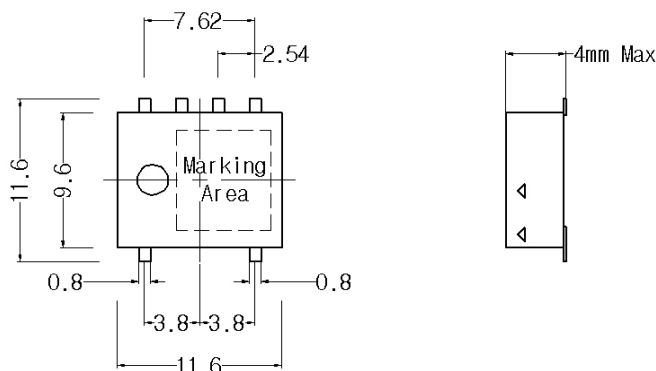
Model		T4G1	T4G2	UNIT / LIMIT
Frequency Range		10~30MHz	2~30MHz	
Applications		TCXO		
Supply Voltage		Vdd= 3.0/ 5.0V		
Load		10k Ω //10pF	15pF	$\pm 10\%$
Operating Temp.		-30~0 $^{\circ}$ C to 50~75 $^{\circ}$ C		
Frequency Stability	vs. Temp.	$\pm 2.5 \sim \pm 5.0$		Ref to 25 $^{\circ}$ C $\pm 2^{\circ}$ C
	vs. Volt.	$\pm 0.5 / V_{cc} \pm 5\%$		ppm / max
	vs. Load	$\pm 0.2 / \text{Load} \pm 10\%$		ppm / max
	Aging	± 1.0		ppm max / First year
	Tolerance	± 0.5		ppm max/ at 25 $^{\circ}$ C $\pm 2^{\circ}$ C
Output	Level	3.0Vcc \triangleright 0.8, 5.0Vcc \triangleright 1.0	HCMOS /TTL	Vp-p /min
	Wave Form.	Clipped sine wave	Retangular	
Supply Current		3.0Vcc \triangleright 1.5, 5.0Vcc \triangleright 2.0	20 max	mA/ max
Frequency Adj.		± 3 (by internal trimmer)		
Voltage Control + TCXO(Same Above Charcateristic)				
Model		VT4G1	VT4G2	UNIT / LIMIT
Applications		VTCXO		
*1	Supply Voltage (Vdd)	3.0V $\pm 5\%$ or 5.0V $\pm 5\%$		
	Control Voltage (Vcon)	Freq. DEV.	± 5.0 or ± 15.0	
VT		Volt.	1.5 ± 1.0 or 2.5 ± 2.0	

*1. VCTCXO \triangleright VT / TCXO \triangleright T ; Part Number ex) VT4G1 =VCTCXO 4G1 Type , T4G1=TCXO 4G1 Type}

TEST CIRCUIT

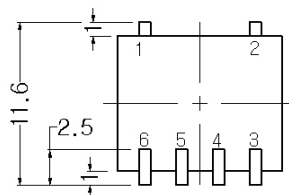


DIMENSION



PIN CONNECTION

PIN	T4G1/T4G2	VT4G1/G2
1	Case Gnd	Case Gnd
2	Case Gnd	Case Gnd
3	Output	Output
4	Ground	Ground
5	N/C	Vc
6	Vcc	Vcc



UNIT : mm

TOLERANCE UNLESS OTHERWISE SPECIFIED : ± 0.3

Ordering Guide

Typical P/N : VT - 4G1 - 10M - 4 - 25 - D - a - 5 - BU

#1	#2	#3	#4	#5	#6	#7	#8	#9
----	----	----	----	----	----	----	----	----

#1. TYPE

T-TCXO

VT-VCTCXO

#2. MODEL (11.4x9.6 mm 6pin Gull-wing)

4G1 : Clipped Sine

4G2 : TTL/HCMOS

#3. FREQUENCY

XX.xxxM-Nominal Frequency (MHZ)

#4. INPUT VOLTAGE

1 : Vcc= 2.5V

2 : Vcc=2.8V

3 : Vcc=3.0V

4 : Vcc=3.3V

5 : Vcc=5.0V

#5. FREQUENCY STABILITY

10 : ±1.0ppm max

15 : ±1.5ppm max

20 : ±2.0ppm max

25 : ±2.5ppm max

30 : ±3.0ppm max

50 : ±5.0ppm max

00 : others (ex: 10.0ppm max ▶ 100)

#6. Operating Temperature Range

A : 0°C ~ 50°C

B : -10°C ~ 60°C

C : -20°C ~ 70°C

D : -30°C ~ 75°C

E : -40°C ~ 85°C

#7. Output Load

a : 10kΩ//10pF

b : 15pF

c : others

#8. Frequency Deviation

Blank : No Connection (TCXO)

5 : ±5ppm min

10 : ±10ppm min

#9. Packing Method

TR : Tape & Reel

BU : Bulk

TU : TUBE

4TechWorld Co., Ltd

B-408, Kajwa Industrial Complex.#178-78, Kajwa-1dong, Seo-ku , Incheon-city ,404-812, Korea

☐ Tel :82-32-584-6517~8 ☐ Fax :82-32-584-6516 ☐ web site:www.4tech.biz