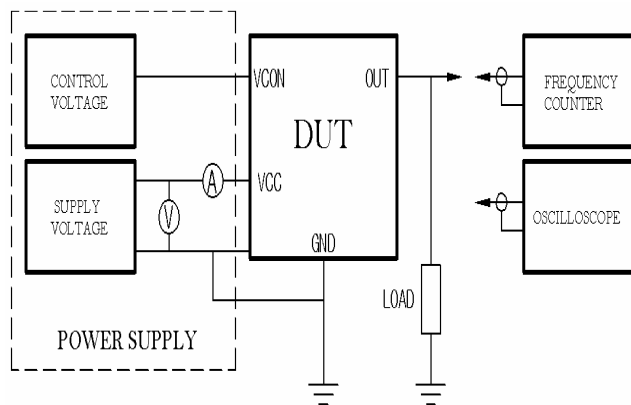


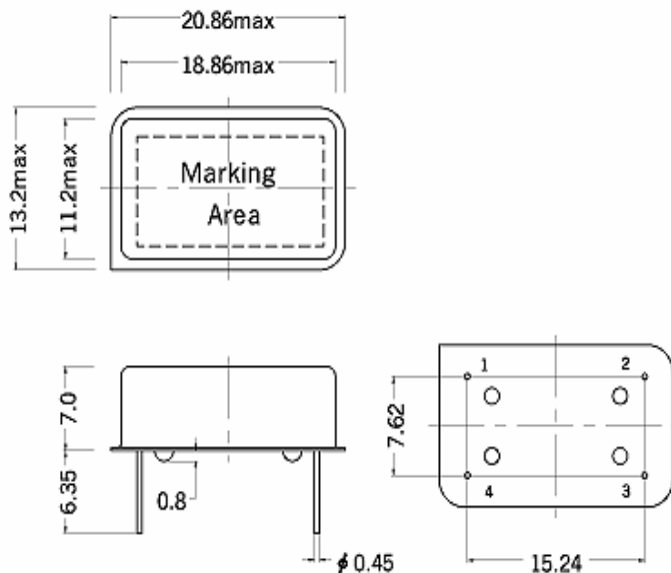
## General Specification

Model		T4H6	T4H2	UNIT / LIMIT
Frequency Range		12~35MHz	2~35MHz	
Applications		TCXO		
Supply Voltage		Vdd= 5.0V		
Load		10k $\Omega$ //10pF	15pF	V $\pm$ 5%
Operating Temp.		-30~0 $^{\circ}$ C to 50~75 $^{\circ}$ C		
Frequency Stability	vs. Temp.	$\pm$ 2.0 ~ $\pm$ 10 ppm		Ref to 25 $^{\circ}$ C $\pm$ 2 $^{\circ}$ C
	vs. Volt.	$\pm$ 0.5 / Vcc $\pm$ 5%		ppm / max
	vs. Load	$\pm$ 0.2 / Load $\pm$ 10%		ppm / max
	Aging	$\pm$ 1.0		ppm max / First year
	Tolerance	$\pm$ 2.0		ppm max/ at25 $^{\circ}$ C $\pm$ 2 $^{\circ}$ C
Output	Level	5.0Vcc $\triangleright$ 1.0	HCMOS /TTL	Vp-p/min
	Wave Form.	Clipped sine wave	Retangular	
Supply Current		5.0Vcc $\triangleright$ 2.0	20 max	mA/ max
Frequency Adj.		$\pm$ 3 (internal trimmer)		ppm / min
<b>Voltage Control + TCXO(Same Above Charcateristic )</b>				
Model		VT4H6	VT4H2	UNIT / LIMIT
Applications		VTCXO		
VT	Supply Voltage (Vdd)	5.0V $\pm$ 5%		
	Control Voltage (Vcon)	Freq. DEV.	$\pm$ 5.0 ~ $\pm$ 20.0	
		Volt.	2.5 $\pm$ 2.0	

### TEST CIRCUIT



### DIMENSION



### PIN CONNECTION

PIN	T4H2/T4H6	VT4H2/H6
1	N/C	Vc
2	Ground	Ground
3	Output	Output
4	Vcc	Vcc

UNIT : mm

TOLERANCE UNLESS OTHERWISE SPECIFIED :  $\pm$ 0.3

## Ordering Guide

Typical P/N : VT - 4H6 - 10M - 4 - 25 - D - a - 5 - BU

#1	#2	#3	#4	#5	#6	#7	#8	#9
----	----	----	----	----	----	----	----	----

### #1. TYPE

T-TCXO

VT-VCTCXO

### #2. MODEL (20.8x13.2 mm 4pin Weld TYP)

4H6 : Clipped Sine

4H2 : TTL/HCMOS

### #3. FREQUENCY

XX.xxxM-Nominal Frequency (MHZ)

### #4. INPUT VOLTAGE

1 : Vcc= 2.5V

2 : Vcc=2.8V

3 : Vcc=3.0V

4 : Vcc=3.3V

5 : Vcc=5.0V

### #5. FREQUENCY STABILITY

10 : ±1.0ppm max

15 : ±1.5ppm max

20 : ±2.0ppm max

25 : ±2.5ppm max

30 : ±3.0ppm max

50 : ±5.0ppm max

00 : others (ex: 10.0ppm max ▶ 100 )

### #6. Operating Temperature Range

A : 0°C ~ 50°C

B : -10°C ~ 60°C

C : -20°C ~ 70°C

D : -30°C ~ 75°C

E : -40°C ~ 85°C

### #7. Output Load

a : 10kΩ//10pF

b : 15pF

c : others

### #8. Frequency Deviation

Blank : No Connection ( TCXO)

5 : ±5ppm min

10 : ±10ppm min

### #9. Packing Method

TR : Tape & Reel

BU : Bulk

TU : TUBE

4TechWorld Co., Ltd

B-408, Kajwa Industrial Complex.#178-78, Kajwa-1dong, Seo-ku , Incheon-city ,404-812, Korea

☐ Tel :82-32-584-6517~8 ☐ Fax :82-32-584-6516 ☐ web site:www.4tech.biz