

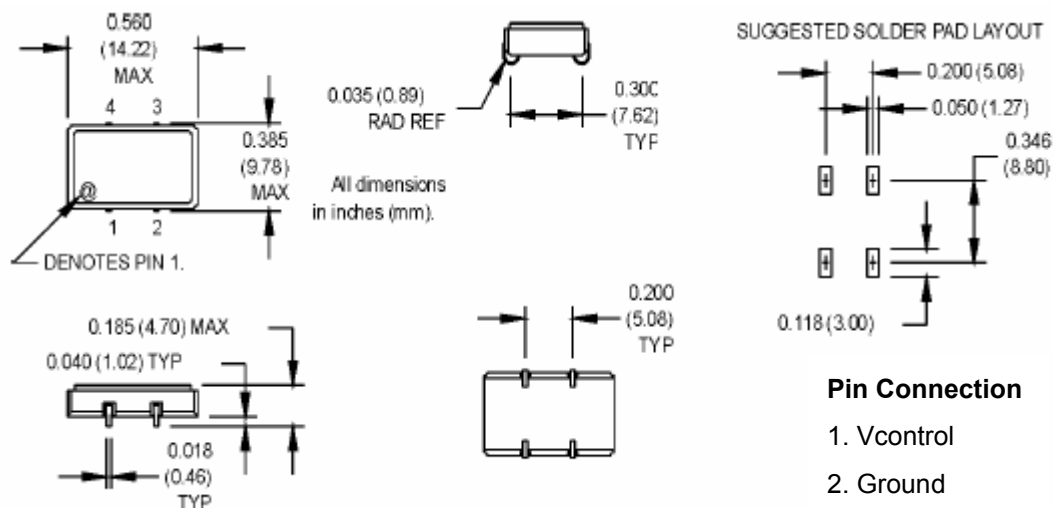
Features

- HCMOS/TTL, Extended Temperature available
- Ceramic 4 J-Lead Package, Seam sealed, 14x9.8x4.7mm
- 3.3V / 5.0V Operation
- RoHS Compliant

Specification

Parameter	Characteristic
Frequency Range	1.000MHz ~ 200.0000MHz
Frequency Stability	+/- 100ppm std. (See Table 4) Inclusive of Operating Temperature
Operating Temperature Range	0 ~ +70°C std. (See Table 6)
Storage Temperature Range	-55 ~ +125°C
Input Voltage	3.3Vdc +/- 10% std. (See Table 3)
Control Voltage	1.65V +/- 1.35V std. (See Table 3)
Pulling Range	+/- 100ppm min std. (See Table 5)
Input Current	55mA max (See Table A)
Output 0 Level (Vol)	10%Vdc max
Output 1 Level (Voh)	90%Vdc min
Symmetry (Duty Cycle)	40/60% @ 1/2Vdc std. (See Table 7)
Rise & Fall Time	10nS max (See Table B)
Linearity	+/- 10% std. (+/- 15%, +/- 20%)
Start Up Time	10mS max
Output waveform vs. Load	HCMOS-TTL / 15pF or 10TTL
Aging(at 25°C)	+/- 5ppm / year max
Operating Temperature Range	0 ~ 70°C std. (-40 ~ 85°C Available)
Mechanical Shock	Per MIL-STD-202, Method 213, Cond. E
Thermal Shock	Per MIL-STD-883, Method 1011, Cond. A
Vibration	Per MIL-STD-883, Method 2007, Cond. A
Soldering Conditions	260°C for 10sec. max.: 230°C for 90sec max.
Hermetic Seal	Leak rate less than 5x10 ⁻⁸ atm.cc/s of Helium

Drawing



4TechWorld Co., Ltd

B-408, Kajwa Industrial Complex. #178-78, Kajwa-1dong, Seo-ku, Incheon-city, 404-812, Korea
 ♦ Tel:+82-32-584-6517~8 ♦ Fax:+82-32-584-6516 ♦ Web site:www.4tech.biz

Ordering Guide

Typical P/N : C4JVH – 16.384M - 52 - 25 E C S1 -TR

1 2 3 4 5 6 7 8

1. Package C4JVH = 14x9.8x4.7mm, 4pads

(Ceramic 4J-Lead SMD VCXO, HCMOS/TTL)

2. Frequency range : 1 to 80MHz (Fundamental)
80.001 to 200MHz (Multi)

3. Input Voltage & Control Voltage :

31 : 3.3V (Vcontrol : 1.65 +/- 1.35V)

32 : 3.3V (Vcontrol : 1.65 +/- 1.50V)

33 : 3.3V (Vcontrol : 1.65 +/- 1.65V)

51 : 5.0V (Vcontrol : 2.50 +/- 2.00V)

52 : 5.0V (Vcontrol : 2.50 +/- 2.50V)

4. Frequency Stability

00 : +/- 100ppm

50 : +/- 50ppm

25 : +/- 25ppm

5. Pulling Range

C : +/- 50ppm min

D : +/- 80ppm min

E : +/- 100ppm min

F : +/- 130ppm min

* : The others

6. Operating Temperature Range

A : 0~70 °C

B : -20~70 °C

C : -40~85 °C

D : -10~70 °C

* : The other

7. Symmetry (Duty Cycle)

S1 : 45/55% at 1/2Vdc

S2 : 40/60% at 1/2Vdc

8. Packing

TR : Tape and Reel

BU : Bulk

TU : Tube

A. Input Current

(unit : mA)	5.0V	3.3V
1MHz to 20MHz	20	15
20.001MHz to 40MHz	30	25
40.001MHz to 80MHz	40	35
80.001MHz to 200MHz	55	55

B. Rise / Fall Time

1MHz ≤ F ≤ 20MHz : 10nS max

20MHz < F ≤ 40MHz : 8nS max

40MHz < F ≤ 80MHz : 5nS max

80MHz < F ≤ 200MHz : 10nS max (Multi)