

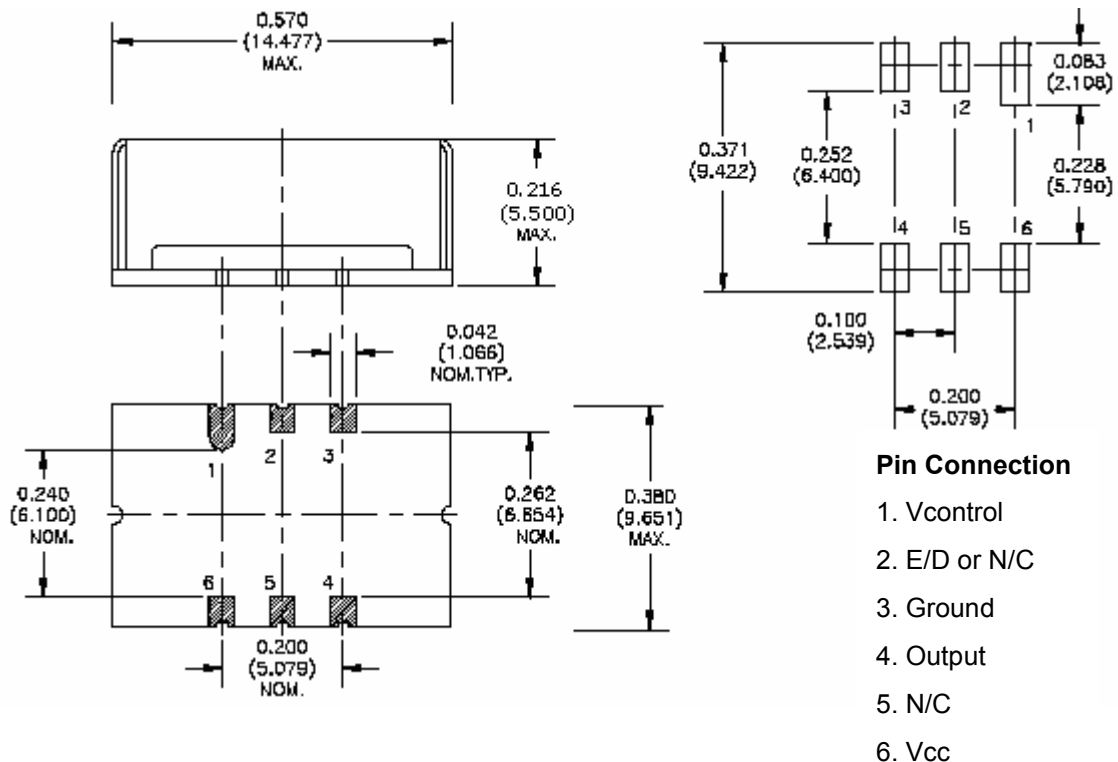
Features

- HCMOS/TTL, Ultra Low Jitter and Phase Noise
- PCB type 6pads, Sealed crystal built in, 14x9.8x5.5mm
- 3.3V / 5.0V Operation
- RoHS Compliant

Specification

Parameter	Characteristic
Frequency Range	1.000MHz ~ 622.0800MHz
Frequency Stability	+/- 100ppm std. (See Table 4) Inclusive of Operating Temperature
Operating Temperature Range	0 ~ +70°C std. (See Table 6)
Storage Temperature Range	-55 ~ +125°C
Input Voltage	3.3Vdc +/- 10% std. (See Table 3)
Control Voltage	1.65V +/- 1.35V std. (See Table 3)
Pulling Range	+/- 100ppm min std. (See Table 5)
Input Current	85mA max (See Table A)
Output 0 Level (Vol)	10%Vdc max(HCMOS), 0.4Vdc max(TTL)
Output 1 Level (Voh)	90%Vdc min(HCMOS), 2.4Vdc min(TTL)
Symmetry (Duty Cycle)	40/60%@1/2Vdc std. (See Table 7)
Rise & Fall Time	10nS max
Linearity	+/- 10% std. (+/- 15%, +/- 20%)
Start Up Time	10mS max
Output waveform vs. Load	HCMOS-TTL / 15pF or 10TTL
Aging(at 25°C)	+/- 3ppm / year max

Drawing



Ordering Guide

Typical P/N : F6VH - 74.25M - 31 - 25 E C S1 T1 -TR

1
2
3
4
5
6
7
8
9

<p>1. Package F6VH = 14x9.8x5.5mm <u>6pads</u> (FR4, PCB type <u>6pads VCXO, HCMOS/TTL</u>)</p> <p>2. Frequency range : 1 to 622.08MHz</p> <p>3. Input Voltage & Control Voltage :</p> <p>31 : 3.3V (Vcontrol : 1.65 +/- 1.35V) 32 : 3.3V (Vcontrol : 1.65 +/- 1.50V) 33 : 3.3V (Vcontrol : 1.65 +/- 1.65V) 51 : 5.0V (Vcontrol : 2.50 +/- 2.00V) 52 : 5.0V (Vcontrol : 2.50 +/- 2.50V)</p> <p>4. Frequency Stability</p> <p>00 : +/- 100ppm 50 : +/- 50ppm 25 : +/- 25ppm</p> <p>5. Pulling Range</p> <p>C : +/- 50ppm min D : +/- 80ppm min E : +/- 100ppm min F : +/- 130ppm min * : The others</p> <p>6. Operating Temperature Range</p> <p>A : 0~70℃, B : -20~70℃, C : -40~85℃ D : -10~70℃, * : The other</p>	<p>7. Symmetry (Duty Cycle)</p> <p>S1 : 45/55% at 1/2Vdc S2 : 40/60% at 1/2Vdc</p> <p>8. Pin#2 & Pin#5 Connection</p> <p>T1 : Pin#2 E/D, Pin#5 N/C Standard T2 : Pin#2 N/C, Pin#2 E/D (Under Development) T3 : Pin#2 E/D, Pin#5 E/D (Under Development) T4 : Pin#2 N/C, Pin#5 N/C</p> <p>9. Packing</p> <p>TR : Tape and Reel BU : Bulk TU : Tube</p> <p>A. Input Current</p> <p>3.3V : 10mA ~ 45mA max 5.0V : 15mA ~ 85mA max</p>
---	---