

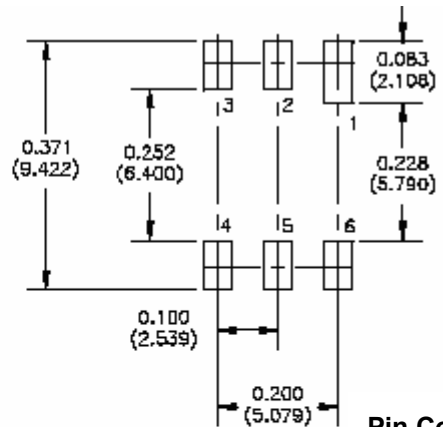
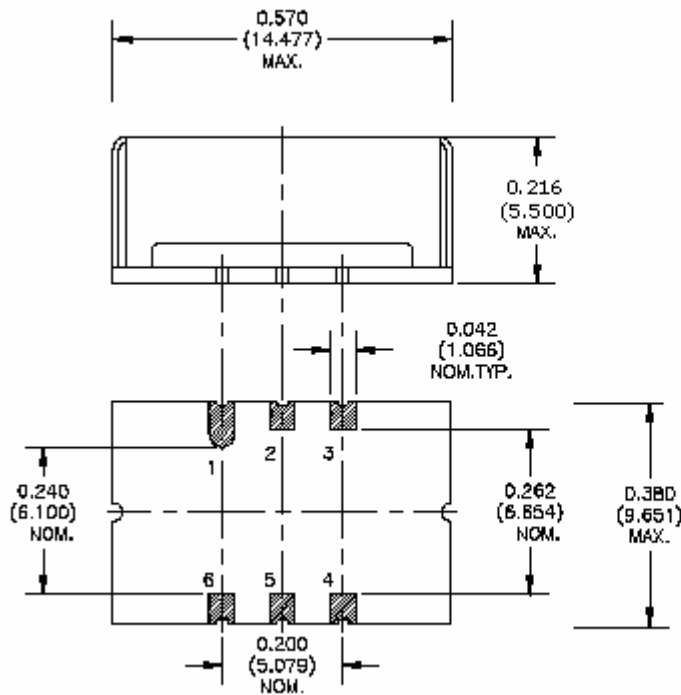
Features

- LVPECL / PECL, Extended Temperature available
- PCB type 6pads, Sealed crystal built in, 14x9.8x5.5mm
- 3.3V / 5.0V Operation
- RoHS Compliant

Specification

Parameter	Characteristic
Frequency Range	8.000MHz ~ 622.0800MHz
Frequency Stability	+/- 50 ppm std. (See Table 4) Inclusive of operating temperature
Operating Temperature Range	0 ~ 70°C std. (See Table 6)
Storage Temperature Range	-55 ~ +125°C
Input Voltage	3.3Vdc +/- 5% std. (See Table 3)
Control Voltage	1.65V +/- 1.35V std. (See Table 3)
Pulling Range	+/- 100 ppm min. (See Table 5)
Input Current	250mA max (See Table B)
Output 0 Level (Vol)	Vcc-1.63Vdc max
Output 1 Level (Voh)	Vcc-1.02Vdc min
Symmetry (Duty Cycle)	40/60%@Vcc-1.3Vdc std. (See Table 7)
Rise & Fall Time	0.6nS typical, 1.0nS max
Linearity	+/- 10% std. (+/-15%, +/-20%)
Start up time	10mS max
Output Load	50Ω to Vcc-2.0Vdc
Tri-state Output (Pin# 2)	High or Open : Oscillation, Low : High Impedance
Aging	+/- 3 ppm max / year
Phase Jitter (12KHz~20MHz)	1pS RMS max (See Table A)

Drawing



Pin Connection

1. Vcontrol
2. E/D or N/C
3. Ground
4. Output
5. Comp. Output
6. Vcc

Ordering Guide

Typical P/N : F6VP - 155.52M - 31 - 50 E B S1 T1 - TR
 1 2 3 4 5 6 7 8 9

1. Package F6VP = 14x9.8x5.5mm, 6pads
 (FR4, PCB type 6pads, LVPECL / PECL VCXO)

2. Frequency range : 8 to 622.08MHz

3. Input Voltage & Control Voltage

- 31 : 3.3V (Vcontrol : 1.65 +/- 1.35V)
- 32 : 3.3V (Vcontrol : 1.65 +/- 1.50V)
- 33 : 3.3V (Vcontrol : 1.65 +/- 1.65V)
- 51 : 5.0V (Vcontrol : 2.50 +/- 2.00V)
- 52 : 5.0V (Vcontrol : 2.50 +/- 2.50V)

4. Frequency Stability

- 00 : +/- 100ppm
- 50 : +/- 50ppm
- 25 : +/- 25ppm

5. Pulling Range

- C : +/- 50ppm min
- D : +/- 80ppm min
- E : +/- 100ppm min
- F : +/- 130ppm min
- * : The others

6. Operating Temperature Range

- A : 0~70°C
- B : -20~70°C
- C : -40~85°C
- D : -10~70°C

* : The others

7. Symmetry (Duty Cycle)

- S1 : 45/55% at Vcc - 1.3Vdc
- S2 : 40/60% at Vcc - 1.3Vdc

8. Pin#2 Connection

- T1 : Pin#2 E/D Standard
- T2 : Pin#2 N/C

9. Packing

- TR : Tape and Reel
- BU : Bulk
- TU : Tube

A. Phase Jitter

- 8MHz ≤ F ≤ 200MHz : 1pS RMS max
- 200.001MHz < F ≤ 622.08MHz : 3pS RMS max
- (12KHz ~ 20MHz)

B. Input Current

- 3.3V : 80mA ~ 200mA max
- 5.0V : 120mA ~ 250mA max